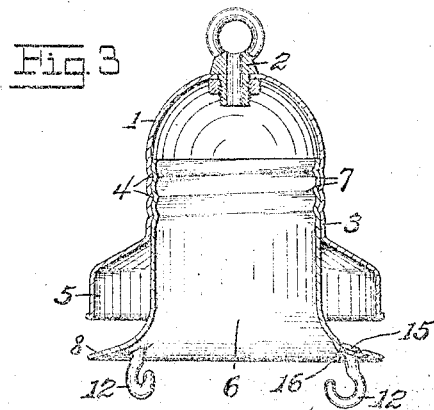
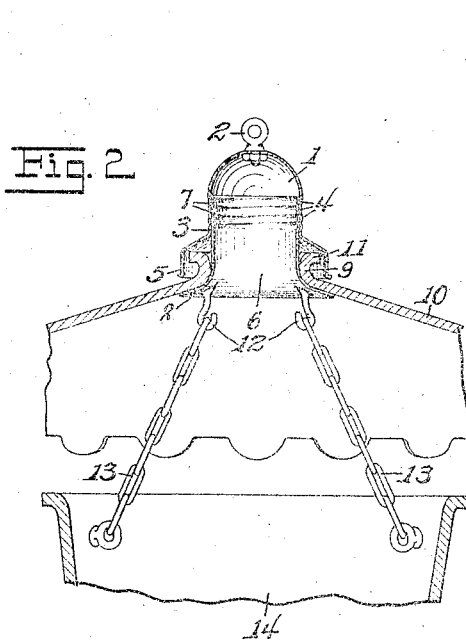
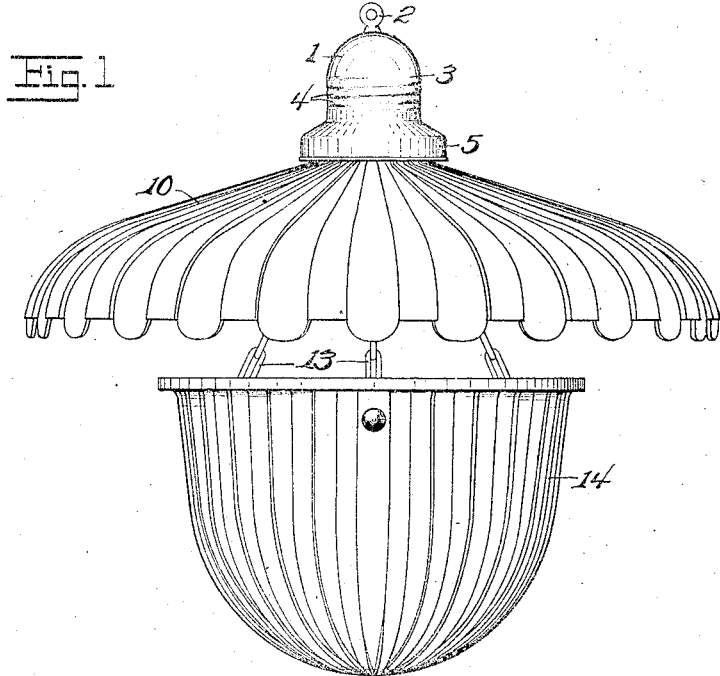


H. NORTHWOOD.
LIGHTING FIXTURE.
APPLICATION FILED APR. 14, 1916.

1,199,490.

Patented Sept. 26, 1916.



INVENTOR
Harry Northwood.
By *A. E. Seneca*
ATTORNEY

UNITED STATES PATENT OFFICE.

HARRY NORTHWOOD, OF WHEELING, WEST VIRGINIA.

LIGHTING-FIXTURE.

1,199,490.

Specification of Letters Patent.

Patented Sept. 26, 1916.

Application filed April 14, 1916. Serial No. 90,995.

To all whom it may concern:

Be it known that I, HARRY NORTHWOOD, a citizen of the United States of America, and resident of Wheeling, county of Ohio, and State of West Virginia, have invented certain new and useful Improvements in Lighting-Fixtures, of which the following is a specification.

This invention relates broadly to electric-lighting fixtures, and more specifically to a suspension device for the reflector and bowl of such fixtures.

The primary object of the invention is to provide a combined socket cover and support for the reflector and bowl of a two-piece electric-lighting unit.

A further object is to provide, in combination with a socket cover, a readily attachable and detachable shade support or holder of a character which dispenses with the usual shade-engaging screws and spring-clamps.

A still further object is to provide a device of the character mentioned wherein said shade support also constitutes the support from which a light-diffusing bowl may be suspended.

With these and other objects in view, the invention resides in the features of construction, arrangement of parts and combinations of elements which will hereinafter be fully described, reference being had to the accompanying drawings, in which—

Figure 1 is a side elevation of the invention; Fig. 2 is a partial central vertical section of the same; and Fig. 3 is an enlarged vertical section of the fitting.

Referring to said drawings, in which like designating characters distinguish like parts throughout the several views—1 indicates, generally, a sheet-metal socket cover having the usual form of suspension bolt 2 attached to its upper end. Said cover has a cylindrical body portion 3 which is screw-threaded internally, the screw-threads 4 thereof being preferably embossed in the metal, as shown. Said body portion terminates at its lower end in a flare of substantially bell-shape which constitutes a skirt 5.

Adapted for adjustable connection with the body 3 is a removable sheet-metal sleeve 6 having its upper end screw-threaded externally, the screw-threads 7 thereof being adapted for assuming interengaging relation with the threads 4 of the socket cover. The lower end of said sleeve is provided with an annular inclined flaring flange 8,

and said sleeve is made of such length that, when it is fully seated within the socket cover, its said flared end, or flange, occupies a position a suitable distance below the edge of the skirt 5.

The sleeve 6 is designed for introduction through the neck 9 of a shade or reflector 10 and, when connected to the socket cover, as aforesaid, to support the latter directly upon its flange 8, as is clearly shown in Fig. 2. When adjusted in proper relation to the socket cover, the said neck 9 and collar 11 of the reflector are received within the embrace of the skirt 5 by which said parts are concealed from view.

Rigidly attached to the flange 8 of the sleeve 6 is a plurality of pendent hooks 12 designed for the reception of the upper ends of chains 13 by means of which a light-inclosing or light-diffusing bowl 14 is suspended in a position underneath the shade or reflector 10. The said hooks 12 are preferably attached to the flange by projecting their upper ends through the latter and then upsetting said ends, as shown at 15 in Fig. 3. The upset ends are preferably disposed in countersunk relation to said flange, being seated in depressed sockets 16 provided in said flange.

As is obvious, the hooks 12 afford means whereby the sleeve may be grasped for effecting adjustment thereof.

What is claimed is—

1. A suspension device for a light-inclosing bowl and for a reflector superposed over said bowl, said device consisting of a socket cover having a cylindrical threaded body terminated at its lower end by a flaring skirt, a sleeve removably mounted within said body and projecting downwardly therefrom, said sleeve having an annular flange at its lower end located below the edge of said skirt, said sleeve being adapted to be embracingly engaged by the neck of a shade or reflector and said flange constituting a seat upon which such shade or reflector is supported, and relatively short hooks carried by said sleeve, said hooks being adapted for engagement with bowl-suspension chains.

2. A suspension device for a light-inclosing bowl and for a reflector superposed over said bowl, said device consisting of a socket cover having a cylindrical threaded body terminated at its lower end by a flaring skirt, a sleeve in internal threaded engage-

ment with said body and projecting downwardly therefrom, said sleeve having an annular flange at its lower end located below the edge of said skirt, said sleeve being adapted to be embracingly engaged by the neck of a shade or reflector and said flange constituting a seat upon which such shade or reflector is supported, and pendent hooks mounted on said flange, said hooks being adapted to have a light-inclosing bowl suspended therefrom and being of such size that they are substantially concealed by such shade or reflector.

3. A lighting fixture comprising an internally threaded socket cover, a sleeve in internal threaded engagement with said socket cover, said sleeve having its lower end flanged to form a seat, a reflector seated upon

said flange with its neck in embracing relation to said sleeve, relatively short pendent hooks carried by said flange, said hooks having upper end portions extending through said flange and having their ends upset, said upset ends being received in depressed sockets provided in said flange, a light-diffusing bowl located below said reflector, and means interposed between said hooks and said bowl whereby the latter is suspended from the former.

In testimony whereof, I affix my signature in presence of two subscribing witnesses.

HARRY NORTHWOOD.

Witnesses:

H. E. DUNLAP,
W. F. KEEFER.