

DESIGN.

N. KOPP & R. E. EWING.

LIGHT SHADE.

APPLICATION FILED APR. 30, 1914.

46,253.

Patented Aug. 11, 1914.

FIG. 1.

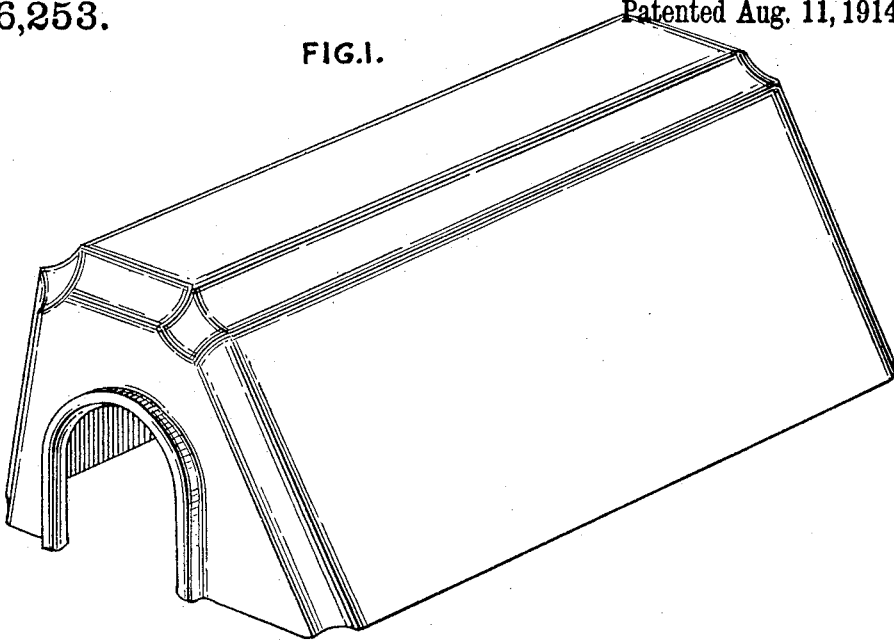


FIG. 2.

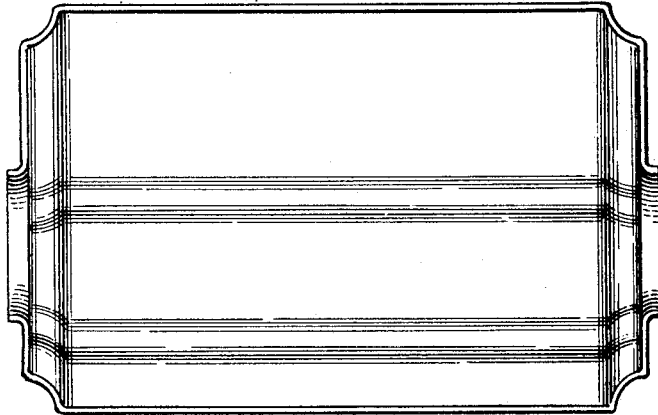
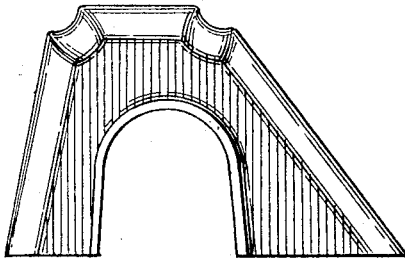


FIG. 3.



WITNESSES

F. C. Gaither
Lois Wineman.

INVENTORS

Nicholas Kopp
Robert E. Ewing
By Herbert A. Doolittle
Attorneys.

UNITED STATES PATENT OFFICE.

NICHOLAS KOPP AND ROBERT EDWARD EWING, OF PITTSBURGH, PENNSYLVANIA,
ASSIGNORS TO PITTSBURGH LAMP, BRASS & GLASS COMPANY, OF PITTSBURGH,
PENNSYLVANIA, A CORPORATION OF NEW JERSEY.

DESIGN FOR A LIGHT-SHADE.

46,253.

Specification for Design.

Patented Aug. 11, 1914.

Application filed April 30, 1914. Serial No. 835,535. Term of patent 3½ years.

To all whom it may concern:

Be it known that we, NICHOLAS KOPP and ROBERT E. EWING, citizens of the United States, residing at Pittsburgh, in the county of Allegheny and State of Pennsylvania, have invented a new, original, and ornamental Design for a Light-Shade, of which the following is a specification, reference being had to the accompanying drawing, forming part thereof.

Figure 1 is a perspective view of a light

shade showing our new design; Fig. 2 is a bottom plan; and Fig. 3 is an end view.

We claim:—

The ornamental design for a light shade as shown.

NICHOLAS KOPP.
ROBERT EDWARD EWING.

Witnesses:

W. G. DOOLITTLE,
F. E. GAITHER.

Copies of this patent may be obtained for five cents each, by addressing the "Commissioner of Patents, Washington, D. C."