

Feb. 23, 1932.

N. KOPP

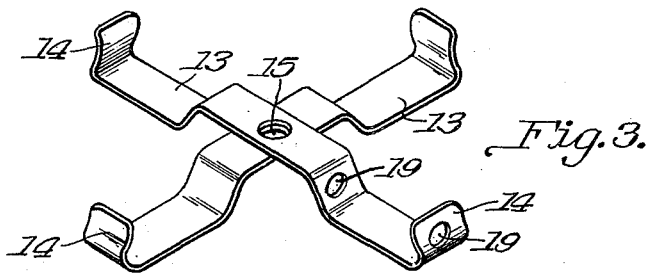
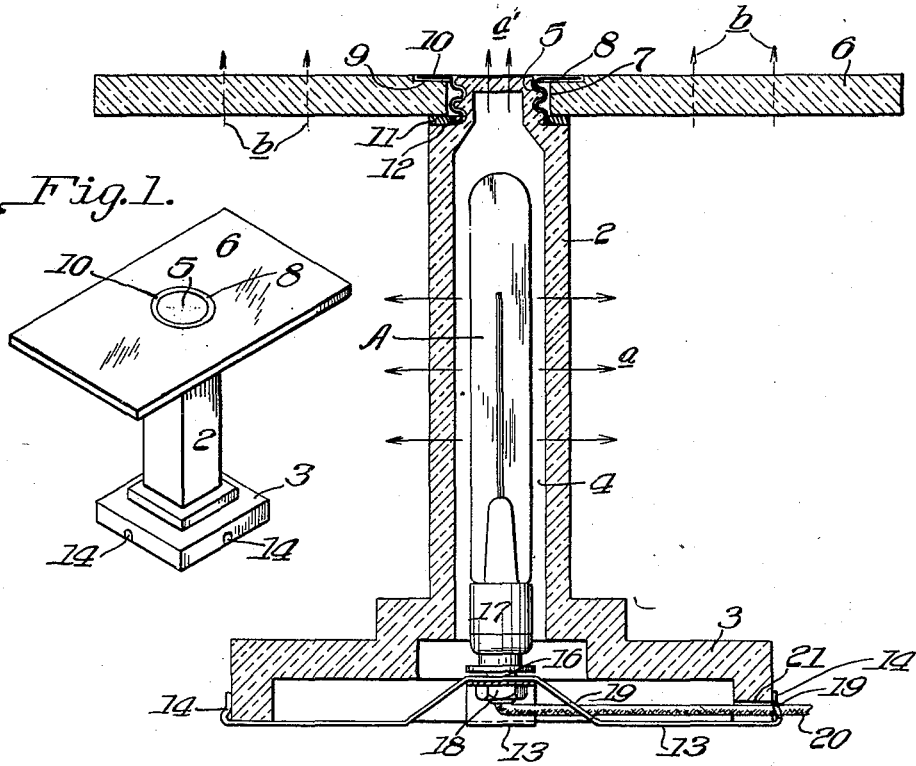
1,846,878

DISPLAY STAND

Filed Oct. 31, 1929

Fig. 2.

Fig. 1.



INVENTOR

Nicholas Kopp  
by N. G. Doolittle  
Attorney.

# UNITED STATES PATENT OFFICE

NICHOLAS KOPP, OF PITTSBURGH, PENNSYLVANIA, ASSIGNOR TO KOPP GLASS, INCORPORATED, OF SWISSVALE, PENNSYLVANIA, A CORPORATION OF PENNSYLVANIA

## DISPLAY STAND

Application filed October 31, 1929. Serial No. 403,780.

My invention relates to improvements in display stands of the character employed for exhibiting merchandise of various kinds, and is more particularly directed to a display stand formed of transparent material and adapted to furnish illumination for said merchandise.

It is a prime object of this invention to provide a display stand of the character specified including a shelf member and a pedestal member, each formed of transparent or translucent material, said pedestal member being of hollow construction and adapted for positioning a lamp therein, said lamp being designed for directly illuminating the pedestal and indirectly illuminating the shelf.

A further object is to provide a novel and efficient means for securing the shelf member on the pedestal, whereby a portion of the pedestal is entered in the shelf member to provide a direct illumination therethrough, and to provide fibre to transparent material contact.

A still further object is to provide metal foot members for frictionally engaging the pedestal and positioning a lamp therein to provide the illumination stated.

Other and further objects and advantages will become apparent from the following description taken in connection with the accompanying drawings, wherein:

Fig. 1 is a perspective view of a display stand embodying my invention;

Fig. 2, an enlarged vertical sectional view thereof; and

Fig. 3, a perspective view of the foot members for positioning the lamp within the pedestal.

Referring to the drawings, 2 designates a hollow pedestal member, preferably formed of transparent or translucent material, and provided with an enlarged base portion 3. Said pedestal is formed with an interior cavity or chamber 4, and a reduced externally threaded portion 5 at its upper end.

Horizontally disposed at the upper end of the pedestal and adapted to be secured thereto, I provide a shelf member 6, also formed of transparent or translucent material, and

having a central opening 7 to receive the threaded portion 5 of the pedestal. The opening 7 is of greater diameter than the external diameter of said threaded portion, to permit the positioning of a threaded ferrule 8, preferably formed of sheet metal.

Adjacent the opening 7 and in the upper surface of the shelf 6, I provide a recess or depression 9, adapted to receive a laterally extending flange 10 of the ferrule 8. Said flange and recess are preferably round, although they may be of any desired configuration. For securing the ferrule to the shelf, I employ a washer 11 of fibre or other suitable material, having the lower end of the ferrule spun or bent thereover, as indicated, for binding said washer and ferrule to the shelf member.

Thus, it will be seen that the shelf may be secured on the pedestal by rotation thereof, the threads of the ferrule engaging the threads of the pedestal, and the washer 11 contacting with shoulder 12 of the pedestal, to provide a fibre-to-transparent material contact.

For the purpose of illuminating the display stand and the merchandise positioned thereon, I provide a lamp A, preferably elongated to extend upwardly within the cavity 4 of the pedestal. Said lamp is mounted on crossed foot members 13 having their outer ends 14 bent upwardly and curved or inclined inwardly a slight amount, to frictionally engage the sides of the base 3 of the pedestal. Both of said foot members are formed with a central opening 15 to receive the threaded stem 16 of the lamp socket 17. The threaded stem 16 extends below the foot members and is provided with a nut 18 for securing the socket to the foot members.

One of said foot members is provided with openings 19 for receiving the lamp cord 20. The base 3 is also provided with a cut-away portion 21 to permit the passage of the cord 20.

When the lamp A is lighted, the pedestal 2 will be directly illuminated, the rays of light passing outwardly through the transparent walls thereof, as indicated at *a*. In addition, some of the light will pass up-

wardly, as indicated at  $a'$ , directly illuminating the upper surface of the threaded portion 5.

The shelf member proper will be indirectly illuminated, as indicated by the broken arrows  $b$ ; such illumination being furnished by the light rays emitted from the pedestal.

Should it be desired to exhibit glass or other transparent merchandise, the article may be placed over the center area of the shelf 6, and receive direct illumination from the rays  $a'$ . Other articles placed on the shelf will receive sufficient illumination to provide an attractive exhibit.

It will be understood that my invention is not confined to the particular form of stand illustrated in the drawings, but may be applied to other forms, provided they fall within the scope of the following claims.

I claim:

1. In a display stand, a shelf member formed of transparent material, a hollow pedestal member formed of transparent material closed at the top and having a threaded portion entered in an opening in the shelf member and terminating substantially flush with the top of the latter, a threaded ferrule secured to the shelf member and engaging said threaded portion, and a lamp within the pedestal member positioned for directly illuminating the pedestal and indirectly illuminating the shelf.

2. In a display stand, the combination with a hollow transparent pedestal member closed at the top, of a transparent shelf member having an opening adapted to receive a hollow threaded portion of the pedestal, a fibre washer adjacent the opening, a flanged ferrule having its lower portion engaging the washer, said flange extending outwardly beyond the margin of the fibre washer, a shoulder on the pedestal member adapted to be engaged by the fibre washer to provide a fibre-to-transparent-material contact, and a lamp positioned within the pedestal for directly illuminating the upper surface of the threaded portion of said pedestal and indirectly illuminating the shelf.

3. A display stand comprising a shelf member and a hollow pedestal member formed of transparent material, crossed metal foot members frictionally secured to said pedestal member and disposed across and below the same so as to be subject to the weight thereof, a lamp secured to said foot members and positioned within the pedestal for directly illuminating said pedestal and indirectly illuminating the shelf.

4. A display device having a hollow transparent pedestal member, a relatively wide base thereon and integral therewith, crossed foot members beneath and on which the base rests, said members being raised in line with the hollow of the pedestal, a lamp supported by said raised portions, one of said portions

having an opening therethrough, a terminal of one of said members also having an opening therethrough, said openings accommodating conductor means for said lamp.

5. A device of the class described comprising a pedestal having a reduced portion at its upper end exteriorly screw threaded, a top having an opening into which said portion extends, said top resting on the pedestal outwardly of said portion, a screw ferrule disposed in said opening and engaging said portion, said ferrule having an outwardly extending flange at its top, said top having a cut-away portion in which said flange is disposed, a washer carried by the ferrule and disposed between the top and pedestal, said top, flange and upper end of the pedestal being substantially flush.

In testimony whereof I affix my signature.

NICHOLAS KOPP.